

TRITUS

Submersible pumps with grinder

 Filthy water

 Domestic use

 Civil use



PERFORMANCE RANGE

- Flow rate up to **260 l/min** (15.6 m³/h)
- Head up to **31 m**

APPLICATION LIMITS

- **10 m** maximum immersion depth (with a sufficiently long power cable)
- Maximum liquid temperature **+40 °C**
- Suction down above ground level:
 - **85 mm** for TR 0.75-1.1
 - **95 mm** for TR 1.5-2.2
- Minimum immersion depth for continuous service:
 - **300 mm** for TR 0.75-1.1
 - **350 mm** for TR 1.5-2.2

CONSTRUCTION AND SAFETY STANDARDS

- **10 m** long power cable
- External float switch and control box for single-phase versions

EN 60335-1
IEC 60335-1
CEI 61-150

EN 60034-1
IEC 60034-1
CEI 2-3



CERTIFICATIONS


Company with management system certified DNV
ISO 9001: QUALITY
ISO 14001: ENVIRONMENT



INSTALLATION AND USE

The **TRITUS** series of grinder pumps manufactured from heavy gauge robust cast iron, resistant to abrasion and long-lasting, are fitted with a **GRINDER in tempered stainless steel of great resistance** which completely grinds up solid bodies and fibres in waste and reflux water from domestic and civil applications and conveys it under pressure into the sewers through small diameter pipes.

PATENTS - TRADE MARKS - MODELS

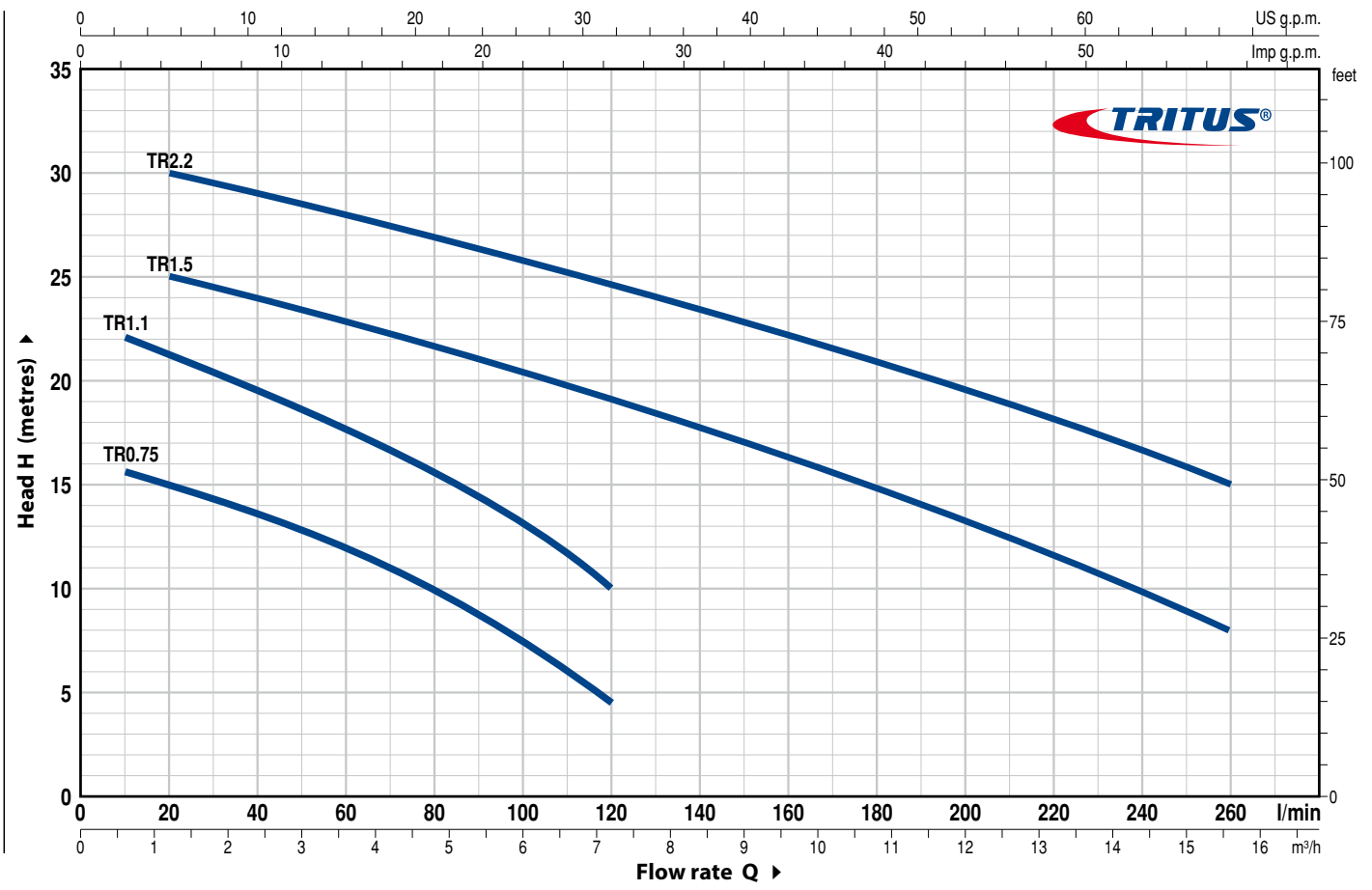
- Patent n. EP2313658
- Patent Pending n. BO2015A000116
- Registered EU Design n. 002501486-0002 (TR 0.75, TR 1.1)
-  Registered trade mark n. 013017181

OPTIONS AVAILABLE ON REQUEST

- Single-phase pumps without float switch
- Other voltages or 60 Hz frequency

CHARACTERISTIC CURVES AND PERFORMANCE DATA

50 Hz n= 2900 min⁻¹



MODEL		POWER (P ₂)		Q	Flow rate															
Single-phase	Three-phase	kW	HP		m ³ /h	0	0.6	1.2	2.4	3.6	4.8	6.0	7.2	9.6	12	14.4	15.6			
				l/min	0	10	20	40	60	80	100	120	160	200	240	260				
TRm 0.75	TR 0.75	0.75	1	H metres	16.5	15.5	15	13.5	11.8	10	7.5	4.5								
TRm 1.1	TR 1.1	1.1	1.5		23	22	21	19.5	17.5	15.5	13	10								
TRm 1.5	TR 1.5	1.5	2		26	-	25	24	23	21.5	20.5	19	16.5	13.5	10	8				
-	TR 2.2	2.2	3		31	-	30	29	28	26.5	25.5	24.5	22	19.5	16.5	15				

Q = Flow rate H = Total manometric head

Tolerance of characteristic curves in compliance with EN ISO 9906 Grade 3B.

TRITUS 0.75 – 1.1

POS. COMPONENT CONSTRUCTION CHARACTERISTICS

1	PUMP BODY	Cast iron with an Epoxy Electro Coating treatment, with threaded port in compliance with ISO 228/1
2	IMPELLER	Technopolymer open type
3	GRINDER	Tempered AISI 440C stainless steel
4	MOTOR SHAFT	Stainless steel AISI 431
5	MOTOR CASING	Cast iron with an Epoxy Electro Coating treatment

6 SHAFT WITH DOUBLE MECHANICAL SEAL SEPARATED BY AN OIL CHAMBER

Pump Model	Seal Model	Shaft Diameter	Position	Materials		
				Stationary ring	Rotational ring	Elastomer
TR 0.75	MG1-14D SIC	Ø 14 mm	Motor side	Silicon carbide	Graphite	NBR
TR 1.1			Pump side	Silicon carbide	Silicon carbide	NBR

7 BEARINGS 6203 ZZ-C3E / 6203 ZZ-C3E

8 ELECTRIC MOTOR

TRm: single-phase 220-230 V - 50 Hz
with thermal overload protector incorporated into the winding

TR: three-phase 400 V - 50 Hz

- Insulation: class F
- Protection: IP X8

9 POWER CABLE

"H07 RN-F" type

Standard length 10 metres

10 FLOAT SWITCH

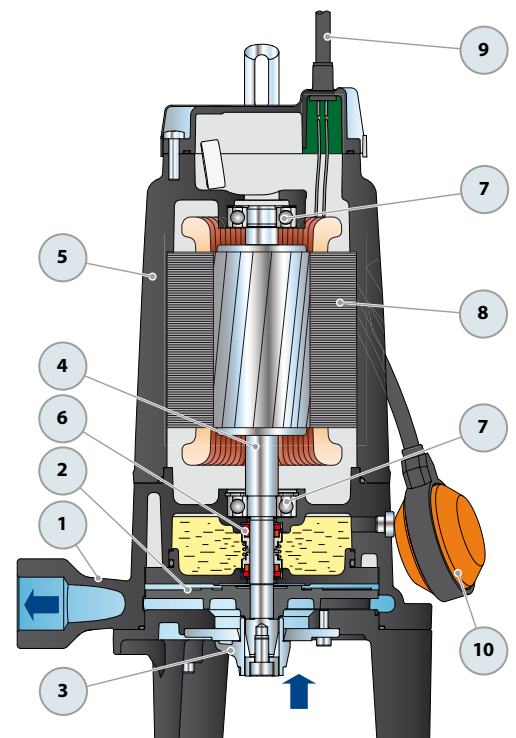
(only for single-phase versions)

11 CONTROL BOX

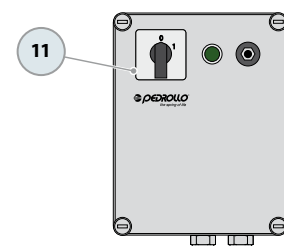
(only for single-phase versions)

With manual overload cut-out and with capacitors for starting and operating.

Pump Single-phase (230 V or 240 V)	Capacitance of the operating capacitor	Capacitance of the starting capacitor
TRm 0.75	25 µF 450 VL	80 µF 450 VL
TRm 1.1		



Standard features

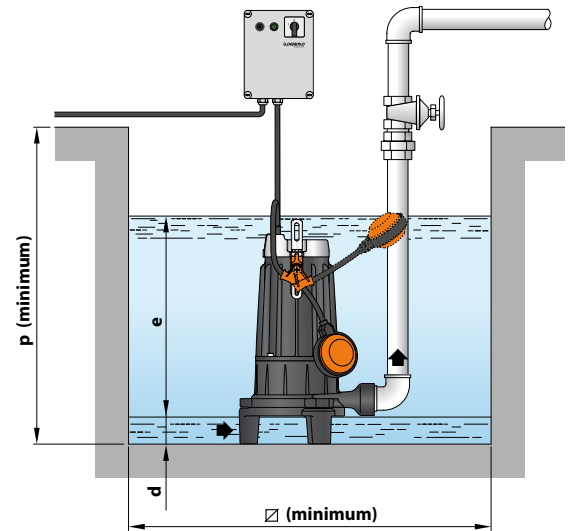
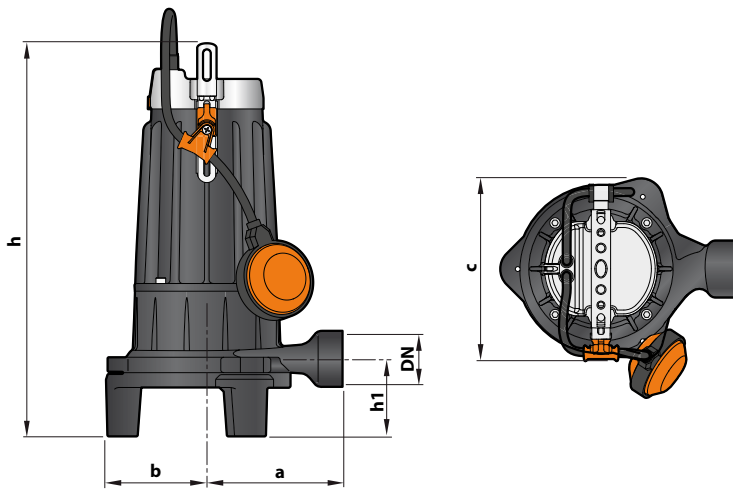


Control box

(only for single-phase versions)

DIMENSIONS AND WEIGHT

Standard installation (for single-phase version)



MODEL		PORT DN	DIMENSIONS mm									kg *	
Single-phase	Three-phase		a	b	c	h	h1	d	e	p	∅	1~	3~
TRm 0.75	TR 0.75	1¼"	140	100	200	405	80	85	variable	500	500	22.3	22.3
TRm 1.1	TR 1.1											23.9	23.1

(* weight of pump without control box)

ABSORPTION

MODEL	VOLTAGE	
	230 V	240 V
TRm 0.75	5.5 A	5.3 A
TRm 1.1	7.4 A	7.1 A

MODEL	VOLTAGE			
	230 V	400 V	240 V	415 V
TR 0.75	4.0 A	2.5 A	3.9 A	2.5 A
TR 1.1	5.2 A	3.0 A	5.0 A	2.9 A

PALLETIZATION

MODEL		GROUPAGE n. pumps	CONTAINER n. pumps
Single-phase	Three-phase		
TRm 0.75	TR 0.75	60	80
TRm 1.1	TR 1.1	60	80

TRITUS 1.5 – 2.2

POS. COMPONENT CONSTRUCTION CHARACTERISTICS

1	PUMP BODY	Cast iron with an Epoxy Electro Coating treatment, with threaded port in compliance with ISO 228/1
2	IMPELLER	Precision cast stainless steel AISI 304 open type
3	GRINDER	Tempered AISI 440C stainless steel
4	MOTOR SHAFT	Stainless steel AISI 431
5	MOTOR CASING	Cast iron with an Epoxy Electro Coating treatment

6 SHAFT WITH DOUBLE MECHANICAL SEAL SEPARATED BY AN OIL CHAMBER

Pump Model	Seal Model	Shaft Diameter	Position	Materials		
				Stationary ring	Rotational ring	Elastomer
TR 1.5	STA-20	Ø 20 mm	Motor side	Graphite	Graphite	NBR
TR 2.2	STA-19	Ø 19 mm	Pump side	Silicon carbide	Silicon carbide	NBR

7 BEARINGS 3304 B-ZZ-C3 / 6304 ZZ-C3

8 ELECTRIC MOTOR

TRm: single-phase 220-230 V - 50 Hz
with thermal overload protector incorporated into the winding

TR: three-phase 400 V - 50 Hz
with thermal overload protector incorporated into the winding to be connected to the control box

- Insulation: class F
- Protection: IP X8

9 POWER CABLE

"H07 RN-F" type

Standard length 10 metres

10 FLOAT SWITCH

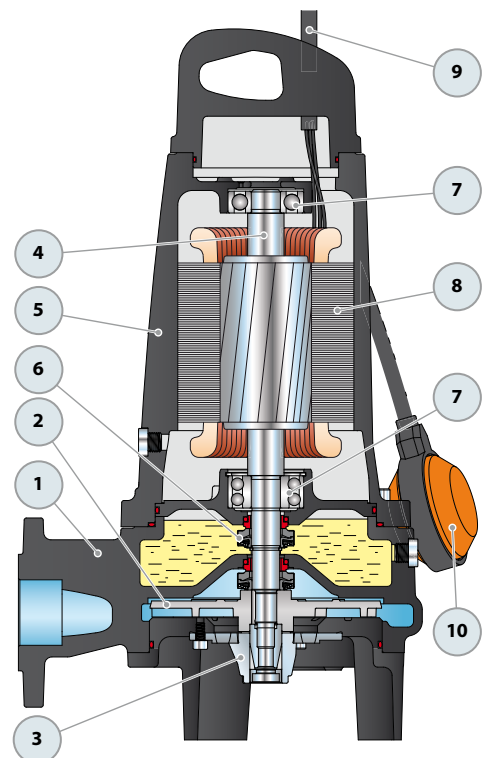
(only for single-phase versions)

11 CONTROL BOX

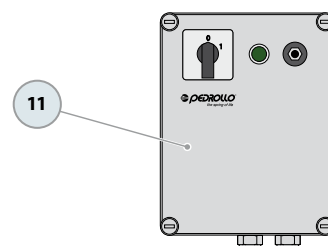
(only for single-phase versions)

With manual overload cut-out and with capacitors for starting and operating.

Pump Single-phase (220-230 V o 240 V)	Capacitance of the operating capacitor	Capacitance of the starting capacitor
TRm 1.5	50 µF 450 VL	80 µF 450 VL



Standard features

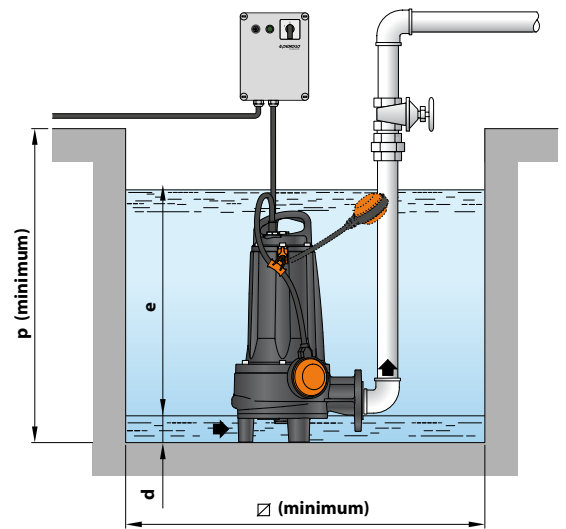
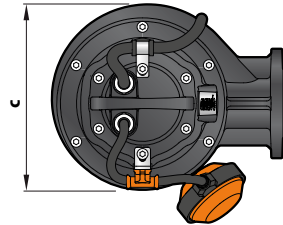
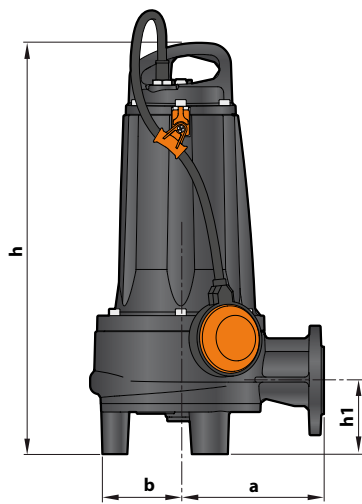


Control box

(only for single-phase versions)

DIMENSIONS AND WEIGHT

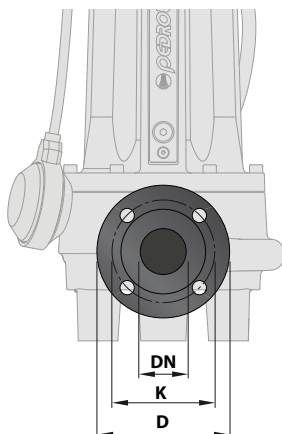
Standard installation (for single-phase version)



MODEL		DIMENSIONS mm									kg	
Single-phase	Three-phase	a	b	c	h	h1	d	e	p	Ø	1~	3~
TRm 1.5	TR 1.5	170	108	221	488.5	87.5	95	variable	800	800	45.5	42.0
-	TR 2.2										-	44.0

FLANGED PORT

MODEL		PORT	K	D	HOLES	
Single-phase	Three-phase	DN	mm	mm	N°	Ø (mm)
TRm 1.5	TR 1.5	1½"	100	130	4	14
-	TR 2.2					



ABSORPTION

MODEL	VOLTAGE
Single-phase	230 V
TRm 1.5	10.0 A

MODEL	VOLTAGE
Three-phase	400 V
TR 1.5	3.7 A
TR 2.2	5.5 A

PALLETIZATION

MODEL	GROUPAGE n. pumps	CONTAINER n. pumps
TRm 1.5	10	10
TR 1.5	12	12
TR 2.2	12	12