

# TOP-FLOOR

## Submersible DRAINAGE pumps

 Clear water

 Domestic use



### PERFORMANCE RANGE

- Flow rate up to **160 l/min** (9.6 m<sup>3</sup>/h)
- Head up to **9 m**

### APPLICATION LIMITS

- **3 m** maximum immersion depth (with a sufficiently long power cable)
- Maximum liquid temperature **+40 °C** (Maximum liquid temperature +90 °C for a maximum of 3 minutes intermittent service)
- Passage of suspended solids up to **Ø 2 mm**
- Suction down to **2 mm** above ground level
- Continuous service **S1**

### CONSTRUCTION AND SAFETY STANDARDS

The pumps are complete with a **5 m** power cable

EN 60335-1  
IEC 60335-1  
CEI 61-150

EN 60034-1  
IEC 60034-1  
CEI 2-3



### CERTIFICATIONS

Company with management system certified DNV  
ISO 9001: QUALITY  
ISO 14001: ENVIRONMENT AND SAFETY



### INSTALLATION AND USE

The **TOP-FLOOR** series is suitable for use with **clear water** that does not contain abrasive particles.

Because of their ability to drain water to a level of 2 millimetres above ground level, they are suitable for use in domestic emergencies where a small area must be drained to the lowest possible level.

### PATENTS - TRADE MARKS - MODELS

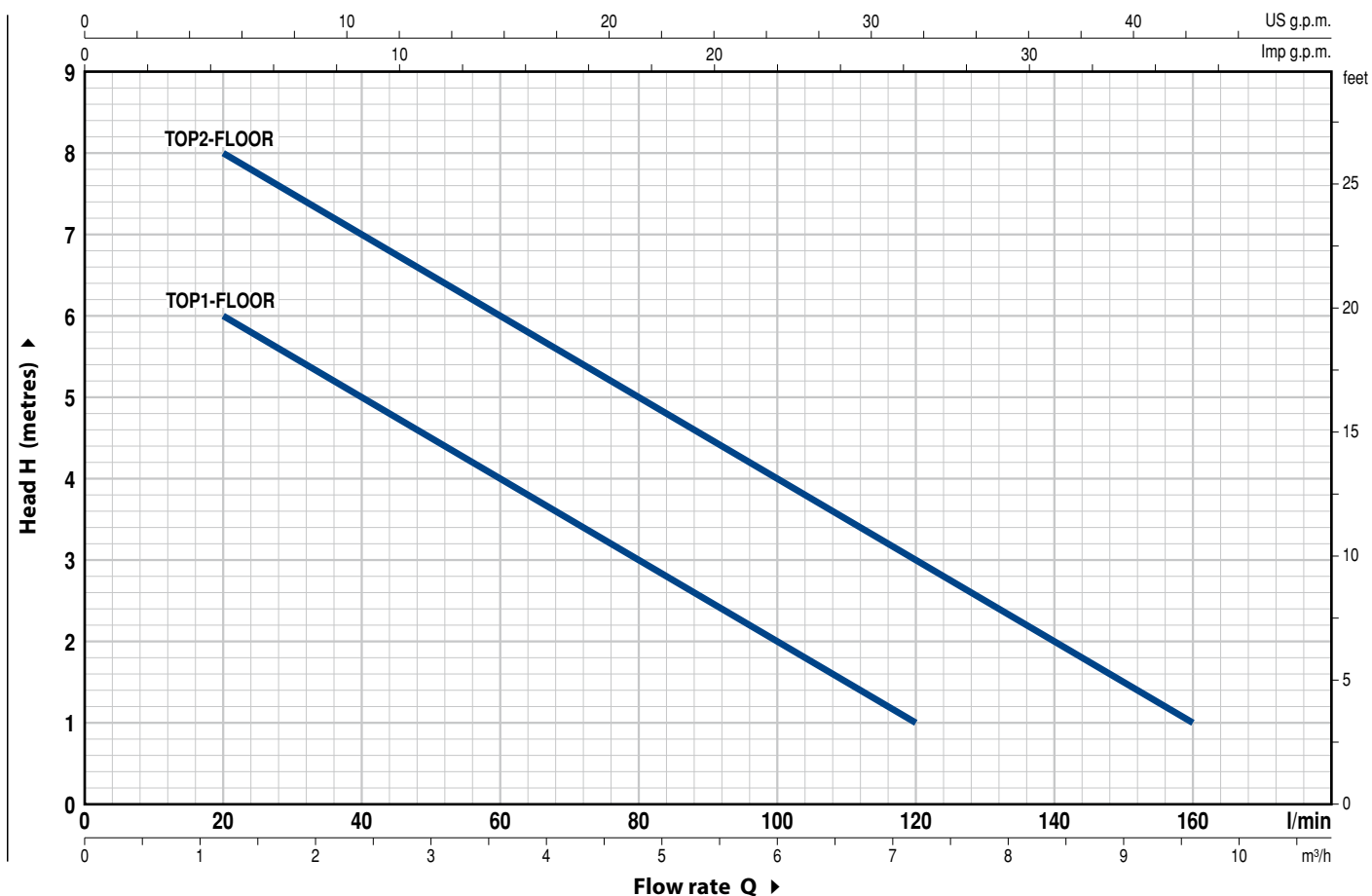
- Registered EU Design n. 342159-0011

### OPTIONS AVAILABLE ON REQUEST

- Pumps with float switch
- Special mechanical seal
- Pumps with a **10 m** long power cable.  
    ➡ N.B.: Standard EN 60335-2-41 states that the power cable must be 10 m long for outdoor applications
- Other voltages or 60 Hz frequency

## CHARACTERISTIC CURVES AND PERFORMANCE DATA

50 Hz n= 2900 rpm



MODEL	POWER (P <sub>2</sub> )		Q	0	1.2	2.4	3.6	4.8	6.0	7.2	8.4	9.6
	kW	HP		0	20	40	60	80	100	120	140	160
Single-phase												
TOP 1-FLOOR	0.25	0.33	H metres	7	6	5	4	3	2	1		
TOP 2-FLOOR	0.37	0.50	H metres	9	8	7	6	5	4	3	2	1

Q = Flow rate H = Total manometric head

Tolerance of characteristic curves in compliance with EN ISO 9906 Grade 3B.

# TOP-FLOOR

## POS. COMPONENT CONSTRUCTION CHARACTERISTICS

1	<b>PUMP BODY</b>	Technopolymer			
2	<b>SUCTION FILTER</b>	Technopolymer			
3	<b>SUCTION PLATE</b>	Stainless steel AISI 304			
4	<b>DIFFUSER</b>	Technopolymer			
5	<b>IMPELLER</b>	Noryl FE1520PW			
6	<b>MOTOR CASING</b>	Stainless steel AISI 304			
7	<b>MOTOR CASING PLATE</b>	Stainless steel AISI 304			
8	<b>MOTOR SHAFT</b>	Stainless steel EN 10088-3 - 1.4104			
9	<b>SHAFT WITH DOUBLE SEAL AND OIL CHAMBER</b>				
	<b>Seal</b>	<b>Shaft</b>	<b>Materials</b>		
	<b>Model</b>	<b>Diameter</b>	<b>Stationary ring</b>	<b>Rotational ring</b>	<b>Elastomer</b>
	STA-12R	Ø 12 mm	Ceramic	Graphite	NBR
10	<b>LIP SEAL</b>	Ø 12 x Ø 19 x H 5 mm			
11	<b>BEARINGS</b>	6201 ZZ / 6201 ZZ			

12	<b>CAPACITOR</b>		
	<b>Pump</b>	<b>Capacitance</b>	
	<b>Single-phase</b>	<b>(230 V or 240 V)</b>	<b>(110 V)</b>
	TOP 1-FLOOR	10 µF 450 VL	16 µF - 250 VL
	TOP 2-FLOOR	10 µF 450 VL	16 µF - 250 VL

**13 ELECTRIC MOTOR**

**TOP-FLOOR:** single-phase 230 V - 50 Hz with thermal overload protector incorporated into the winding.

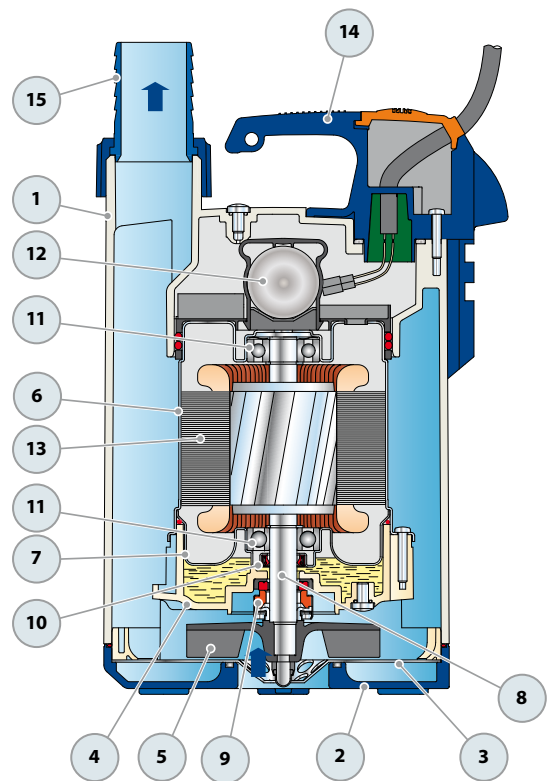
- Insulation: class F
- Protection: IP X8

**14 HANDLE ASSEMBLY** (resin sealed)

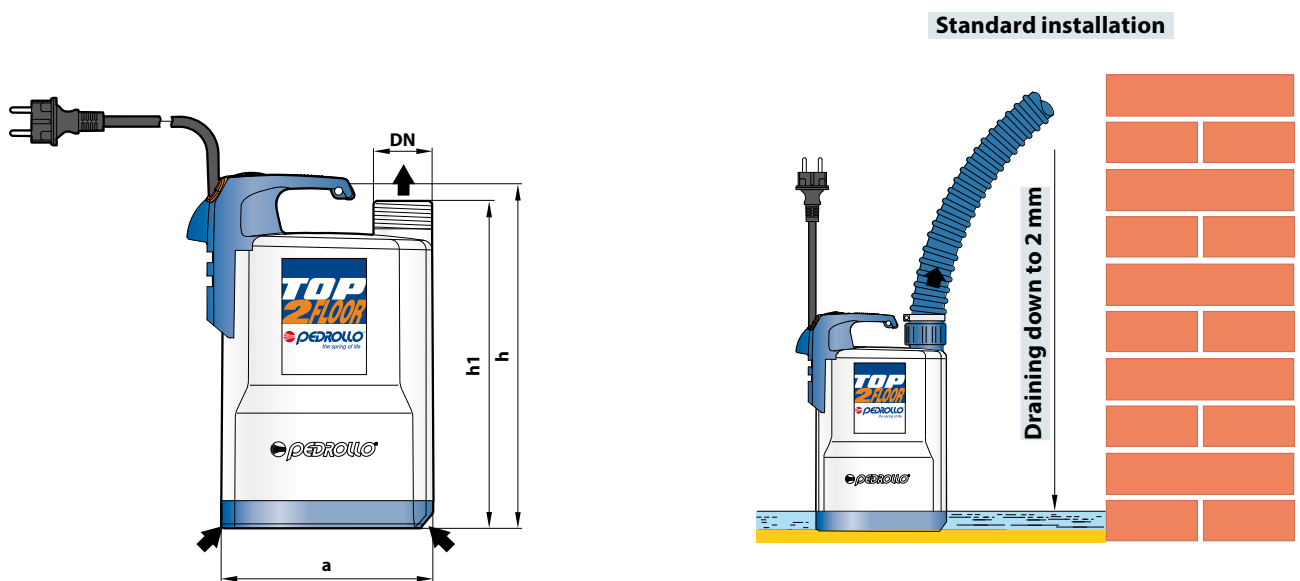
Complete with 5 metres long "H07 RN-F" **power cable** with Schuko plug

**15 HOSE CONNECTOR WITH RING NUT**

Ø 25 mm hose connection for TOP1 - FLOOR  
 Ø 35 mm for TOP2 - FLOOR



## DIMENSIONS AND WEIGHT



MODEL	PORT	DIMENSIONS mm			Minimum drying level	kg
		DN	a	h		
Single-phase						
TOP 1-FLOOR	1¼"	152	257	237	2 mm	5.0
TOP 2-FLOOR						5.0

## ABSORPTION

MODEL	VOLTAGE		
	230 V	240 V	110 V
Single-phase			
TOP 1-FLOOR	1.5 A	1.4 A	3.0 A
TOP 2-FLOOR	2.0 A	1.9 A	5.3 A

## PALLETIZATION

MODEL	GROUPAGE	CONTAINER
Single-phase	n. pumps	n. pumps
TOP 1-FLOOR	96	144
TOP 2-FLOOR	96	144