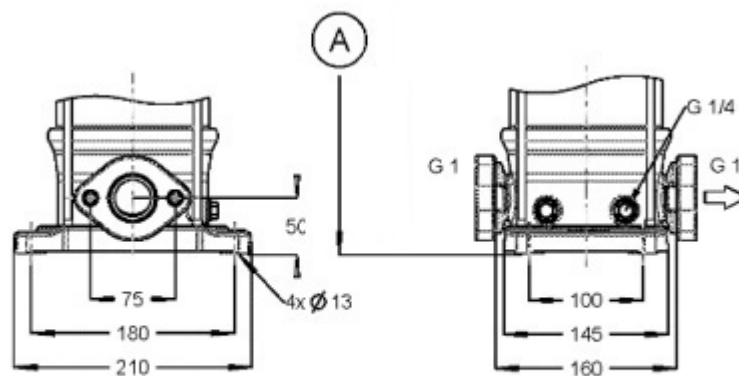
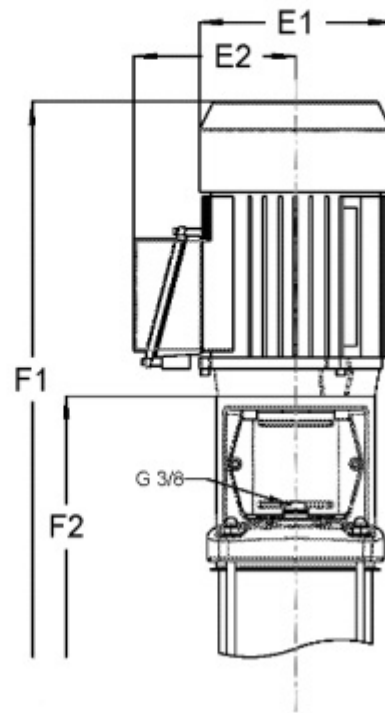


Dimensions sheet

Part number **290022251140U**

Description **DPV 2/14 B~Oval G 1~1,1kW 230/400V~50Hz 2P~IEC 80B~IE3~Fixed SiC Ca EPDM**

Vertical centrifugal pump, suction and discharge connections in-line.



Motor width (E1)	150mm
Motor width (E2)	115mm
Total height (F1)	791mm
Total height (F2)	527mm
Total net weight	29kg