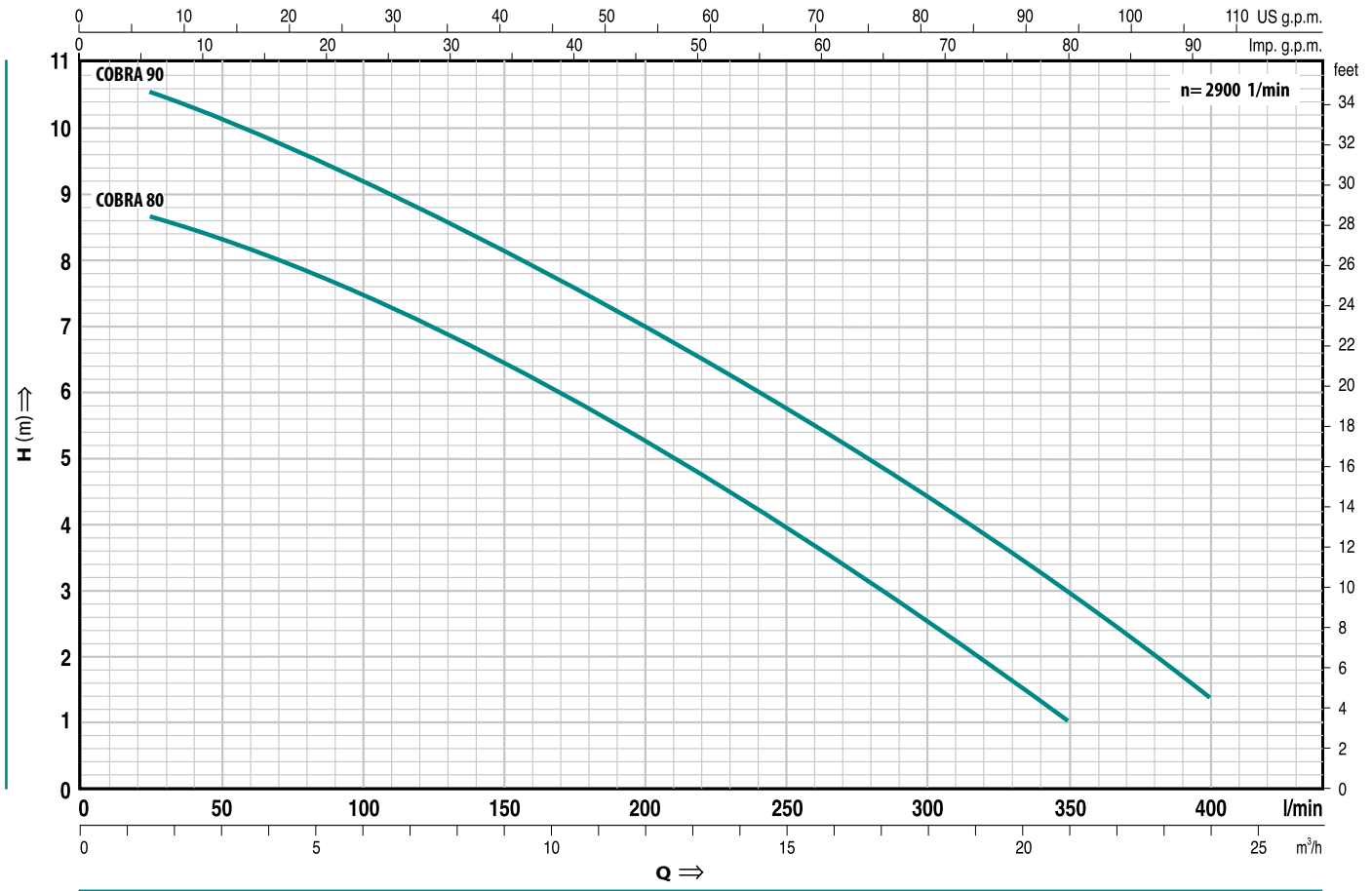




COBRA

VORTEX submersible pumps



Q = Flow rate H = Total manometric head

Tolerance of the performance curves according to EN ISO 9906 App. A.

TYPE	POWER		m³/h l/min	0	1.5	3.0	4.5	6.0	9.0	12.0	15.0	18.0	21.0	24.0
	kW	HP		0	25	50	75	100	150	200	250	300	350	400
Single-phase														
COBRA 80M	0.50	0.70	H metres	9	8.5	8.3	8	7.5	6.5	5.2	4	2.5	1	
COBRA 90M	0.60	0.85		11	10.5	10	9.5	9.2	8.2	7	5.7	4.3	2.8	1.5

DIMENSIONS AND WEIGHTS

TYPE	PORT DN	passage of solid bodies	DIMENSIONS mm									kg
			a	b	c	h	h1	d	e	p	∅	
COBRA 80M	1 1/2"	∅ 40 mm	110	93	150	372	128	40	adjustable	450	450	10.8
COBRA 90M												12.4



RANGE OF PERFORMANCE

Flow rate up to 300 l/min (18 m³/h)

Head up to 10 m

LIMITS OF USE

Depth up to 5 m

Liquid temperature up to + 40°C

Passage of suspended solid bodies up to
Ø 40 mm

Drainage level 40 mm from the bottom

For continuous duty: minimum immer-
sion 240 mm from pump base

INSTALLATION AND USE

COBRA PUMPS ARE RECOMMENDED FOR DRAIN-
ING WASTE WATER IN THE DOMESTIC SECTOR,
FOR CLEARING DIRTY WATER, EVEN CONTAINING
SUSPENDED SOLID BODIES WITH DIMENSIONS
UP TO Ø 40 mm.

THEY ARE OUTSTANDING IN BOTH THEIR
SIMPLICITY OF INSTALLATION AND THEIR
RELIABILITY IN FIXED INSTALLATIONS WITH
AUTOMATIC OPERATION.

GUARANTEE 2 YEARS subject to our general
terms of sale.

CONSTRUCTION CHARACTERISTICS

- **DELIVERY BODY:**
cast iron, with threaded port ISO 228/1.
- **MOTOR CASING:** stainless steel AISI 304.
- **IMPELLER:**
open type, in glass filled **technopolymer**.
- **MOTOR SHAFT:**
stainless steel EN 10088-3 - 1.4104.
- **MECHANICAL SEAL:**
ceramic - graphite - NBR.
- **MOTOR:** submersible asynchronous single-phase
for continuous duty.
- **COBRA M:** single-phase 220÷240 V - 50 Hz with
capacitor and thermal overload protector.
- **INSULATION:** class F.
- **PROTECTION:** IP 68.

STANDARD FEATURES:

- Float switch.
- Neoprene power cable "H07 RN-F"
- length 5 metres with Schuko plug.

OPTIONS ON REQUEST

- ⇒ special mechanical seal 10 metres power cable.
N.B. required for outdoor use to comply with
standard EN 60335-2-41
- ⇒ versions without float switch
- ⇒ other voltages or frequency 60 Hz



CONSTRUCTION AND SAFETY STANDARDS

EN 60 335-1

EN 60034-1

IEC 335-1

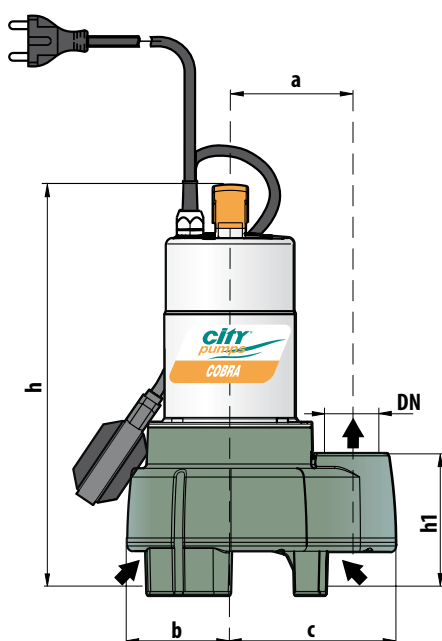
IEC 34-1

CEI 61-150

CEI 2-3



DIMENSIONS



Typical installation

